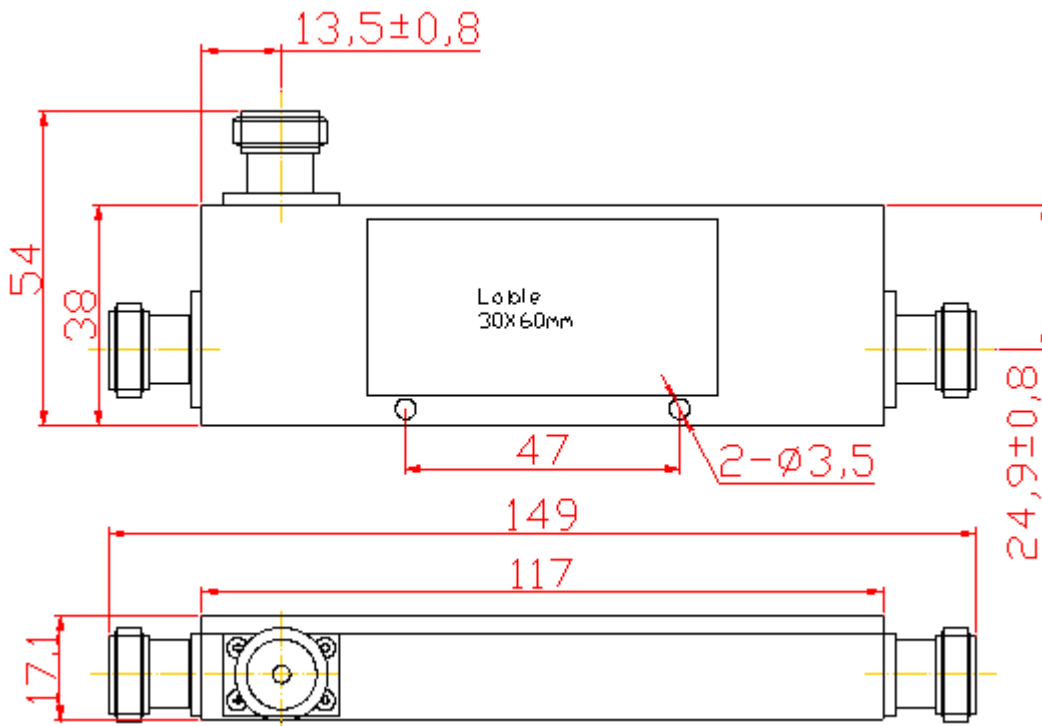


# Directional Coupler

Product Type : AVCP-0727-XXN



## Structure Dimensions:





## Technical Specifications:

Main Specifications			
Part Number	Coupling/Nominal Input←→P2	Inband Ripple	Insertion Loss
AVCP-0727-05N	-5 dB	±0.8dB	≤2.05dB
AVCP-0727-06N	-6 dB	±0.8dB	≤1.6dB
AVCP-0727-07N	-7 dB	±0.8dB	≤1.5dB
AVCP-0727-08N	-8 dB	±0.8dB	≤1.2dB
AVCP-0727-10N	-10dB	±1.0dB	≤0.8dB
AVCP-0727-15N	-15dB	±1.0dB	≤0.4dB
AVCP-0727-20N	-20dB	±1.5dB	≤0.22dB
AVCP-0727-30N	-30dB	±1.8dB	≤0.20dB
Operating Frequency	698-2700MHz		
Impedence	50 Ohm/Nominal		
VSWR Input (all ports)	≤1.25		
PIM (2×43dBm)	≤-150dBc		
Directivity	≥20 dB		
Power (max)	200W(average), 1.5KW(peak)		
Connector	N Female		
Operating Temperature (°C)	-30~+75		
Housing Material	Aluminum		
Connector Material (Body)	Beryllium Copper or Spring Bronze		
Connector Plating	Inner: Ag or Au; Outer: Ni or Tri-metal		