

# LTE 700 & LTE 900 & LTE 1800 & 3G Triplexer

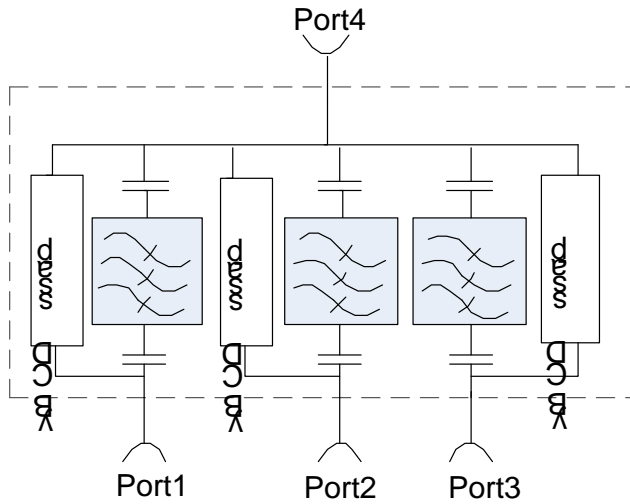
Model: AVTRI-0721D



## Technical Specifications:

Electrical Specifications			
Road	Port 1	Port 2	Port 3
Frequency range	700-960MHz	1710-1880MHz	1920-2170MHz
Insertion loss	≤0.3 dB		
Ripple	≤0.25dB		
Rejection	≥50 dB		
Return loss / VSWR	20 dB/1.22		
Impedance	50 Ω		
Input power	300 W		
PIM(dBc)	≤-150, 2x43dBm carriers		
DC/AISG transparency	By-pass(max.2500 mA)		
Environment Specifications			
Operating temperature (°C)	-20 to +55		
Storage temperature (°C)	-45 to +85		
Relative humidity	5% to 95%		
Applications	Indoor or outdoor(IP67)		
Mechanical Specifications			
Connectors	DIN-F		
Weight	3.8 Kg		
Dimensions (mm)	205×200×52 (without connectors)		
Packing	1pc / box		

### Schematic Diagram:



### Structure Dimensions:

